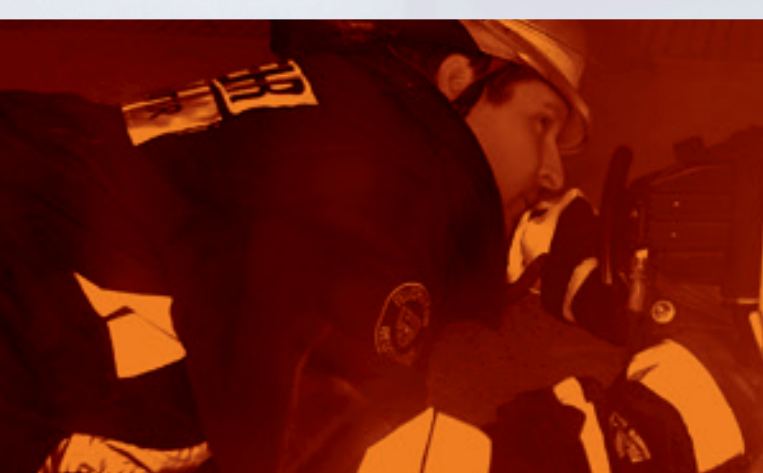
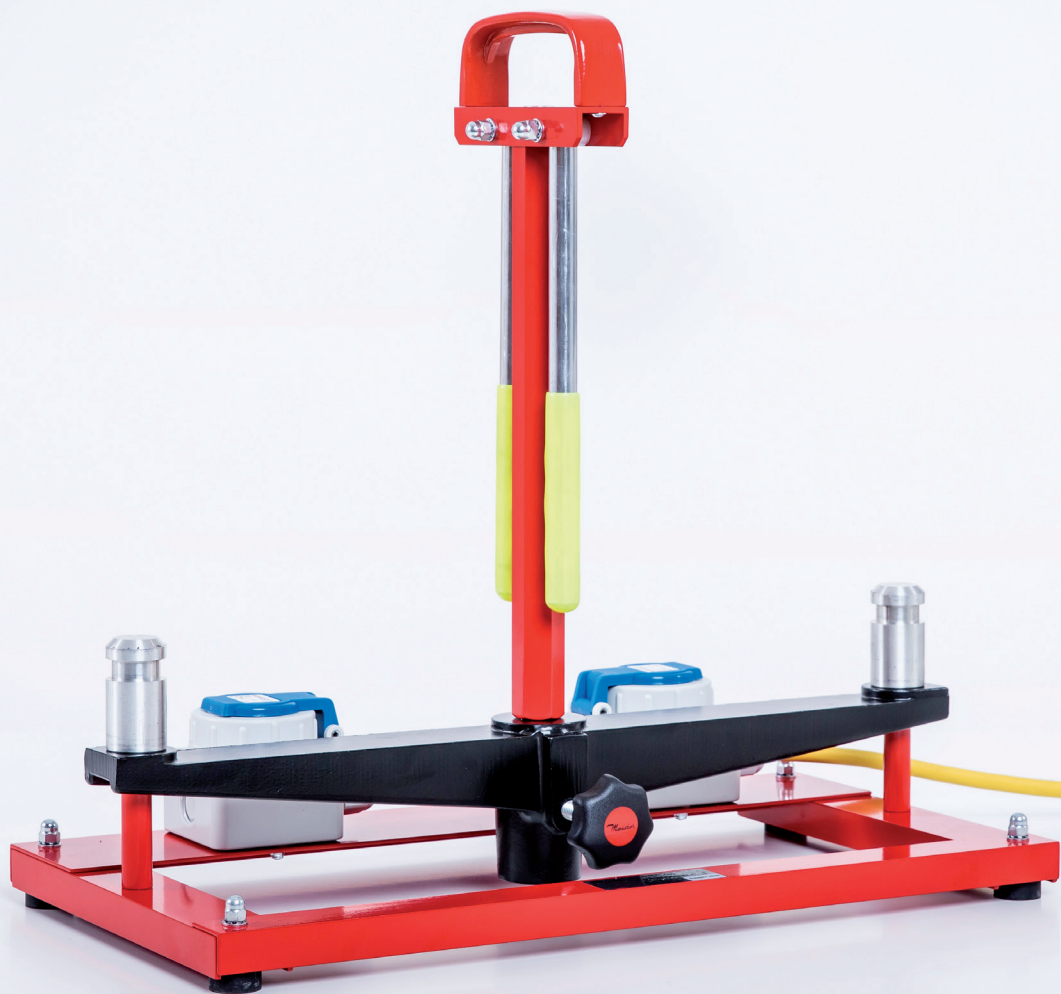
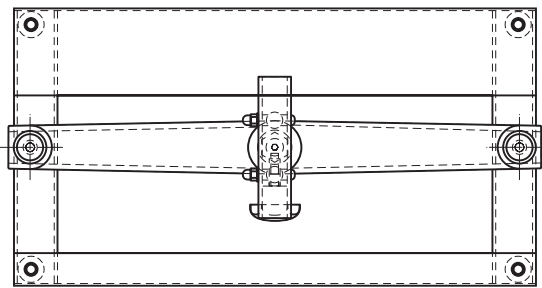
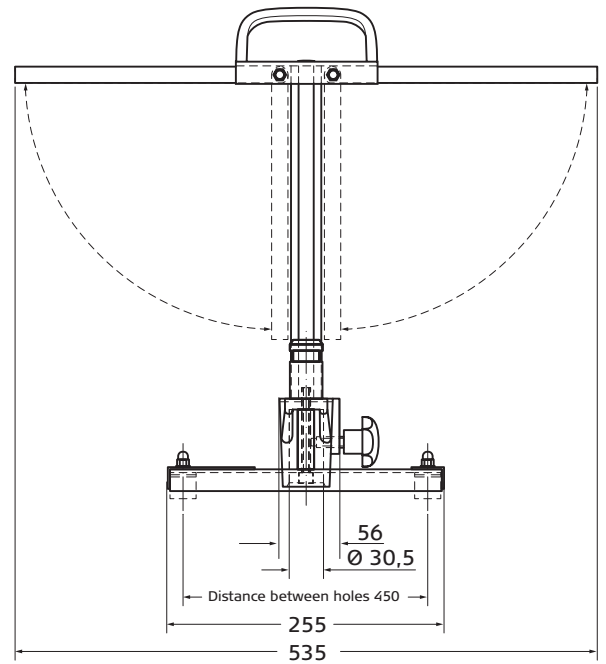
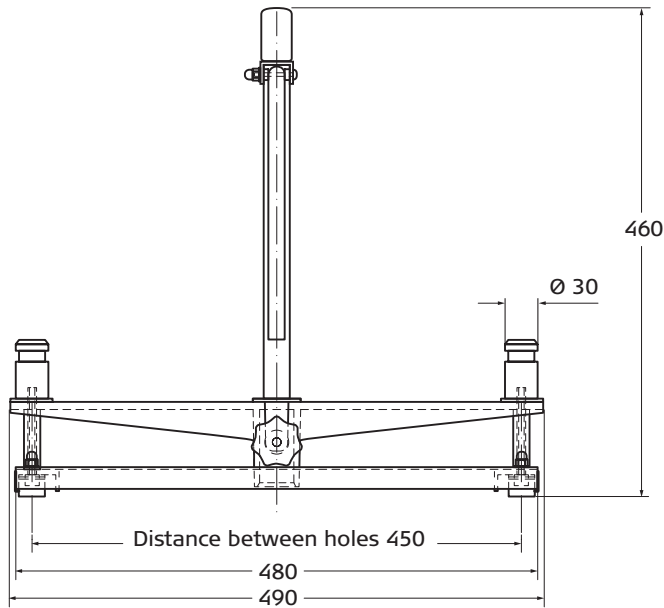


DUO-LIGHT 450



DUO-LIGHT 450

Carrier module for lights with the standard centring pivot compliant with DIN 14640

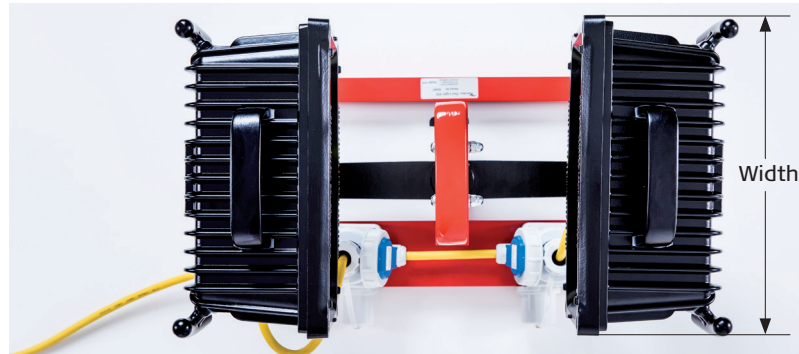
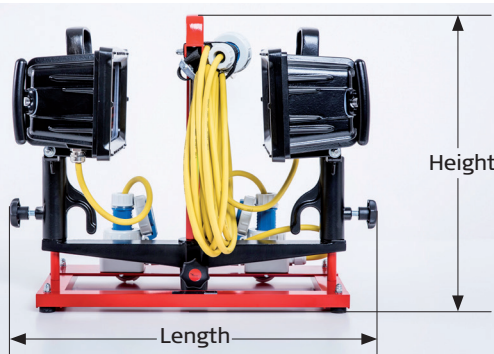
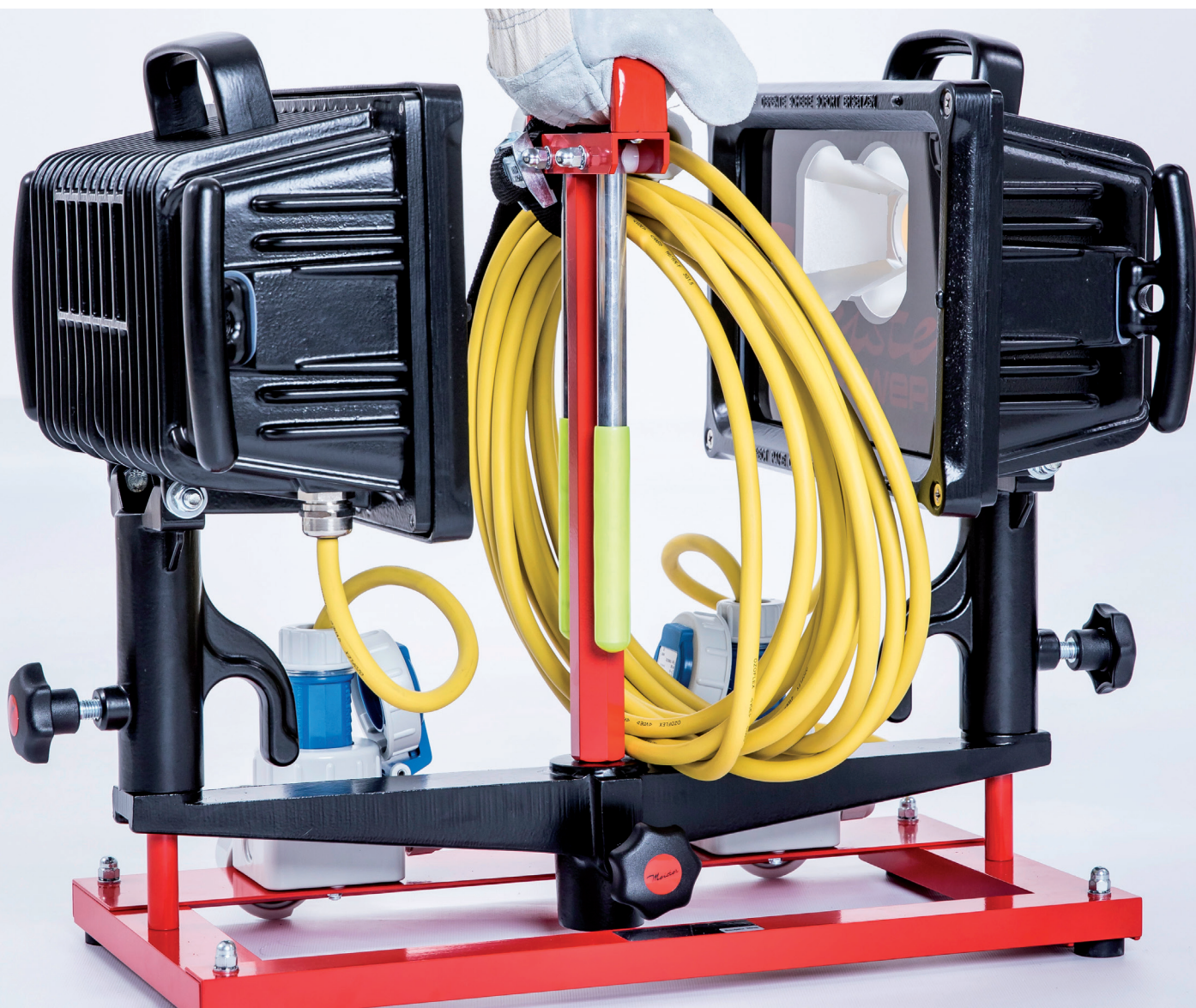


03/17

Dimensions	Length x Width x Height: 490 x 255 x 460 mm
Weight	<p>Duo-Light 450, without accessories: approx. 3.00 kg</p> <p>Duo-Light 450 V, with terminal block and 10 m cable: approx. 4.60 kg</p> <p>Duo-Light 450 S, with 2 Schuko sockets and 10 m cable: approx. 4.90 kg</p> <p>Duo-Light 450 S with 2 LED 90AC, 2 Schuko sockets, 10 m cable: ca. 16.00 kg</p> <p>Duo-Light 450 S with 2 LED 180AC, 2 Schuko sockets, 10 m cable: ca. 18.00 kg</p>
Description	<p>The Duo-Light carrier module can support 2 floodlights from the Meister LED 90, LED 130, LED 180, BS 1000 and FS 1000 series.</p> <p>The lights can be rotated 360° without impeding each other.</p> <p>The Duo-Light carrier module can be clipped onto any standard commercial tripod with the standard centring pivot compliant with DIN 14640 Ø 30 mm or set up securely on any substructure. Can be stowed away in a small space in the vehicle.</p> <p>With the upper handle the Duo-Light can be transported by one person.</p> <p>With the both bottom-mounted, foldable handles it can be easily transported to the place of use by two persons.</p>

DUO-LIGHT 450

Stowage factors with mounted Karl Meister floodlights



Stowage factor with 2 LED 90
Stowage factor with 2 LED 180

Length x Width x Height: 600 x 305 x 460 mm
Length x Width x Height: 600 x 350 x 460 mm

