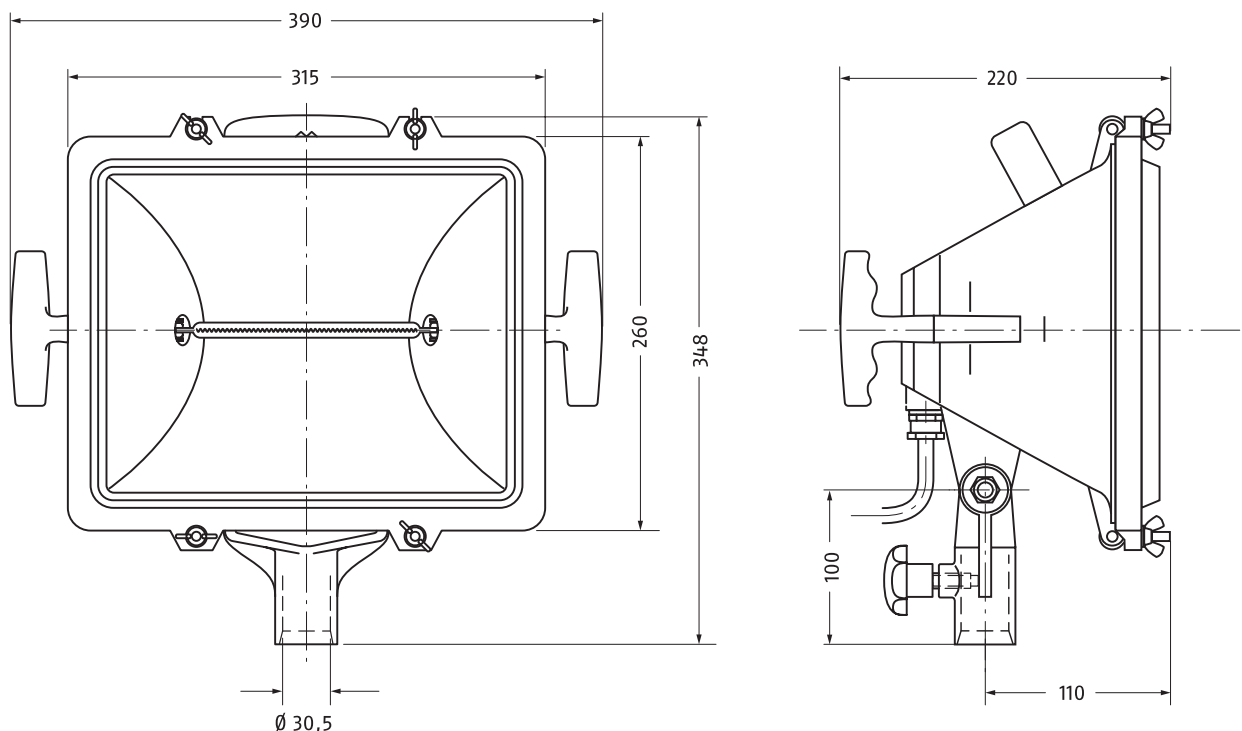


# HALOGEN FLOODLIGHT FS 1000

with Halogen Lamp 230 V / 1000 W



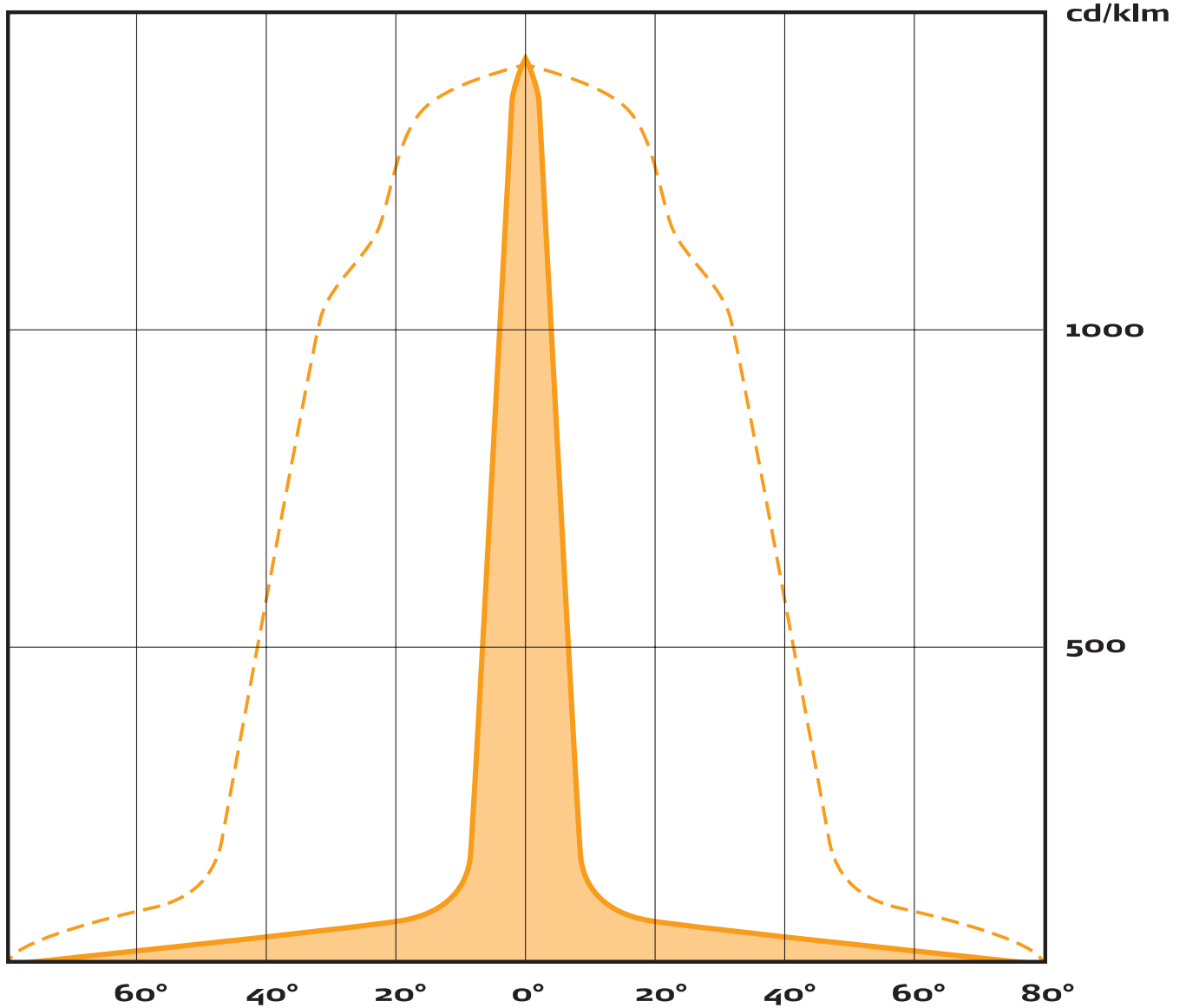
Housing	die cast aluminium with extra large cooling fins
Halogen lamp	halogen lamp 230 V / 1000 W, impact-resistant and position-insensitive, equates to more than 10,900 lumen effective light output
Safety cover	special safety glass 305 x 250 x 5 mm, light outlet 265 x 220 mm, resistant to maximum temperature changes
Connecting lead	10 m, heavy rubber hose line H 0 7 RN-F 3G 1,5 (or higher quality) with safety contact plug, lockable, 16A 250V acc. to DIN VDE 0620
Fastening, attachment	to tripod or vehicle, using a joint and attachment piece via an aluminium bolt acc. to DIN 14 640
Handle	1 carrying handle and 2 side handles ensure optimum handling, the side handles are also used for winding and unwinding the cable
Weight	approx. 6.0 kg (with 10 m cable and plug)
Special versions	e.g. halogen lamps 500 W or 750 W, any desired cable length - also available without plug(s), handles, joint or attachment piece



KARL *Meister* GmbH

# HALOGEN-FLOODLIGHT FS 1000

Luminous intensity distribution Cartesian



— A<sub>0</sub>  
- - - B<sub>0</sub>

KARL *Meister* GmbH