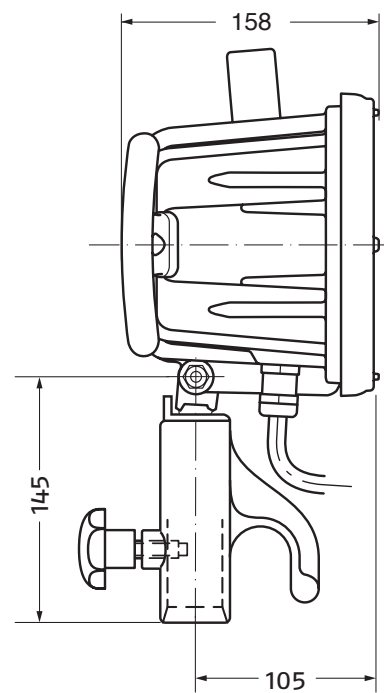
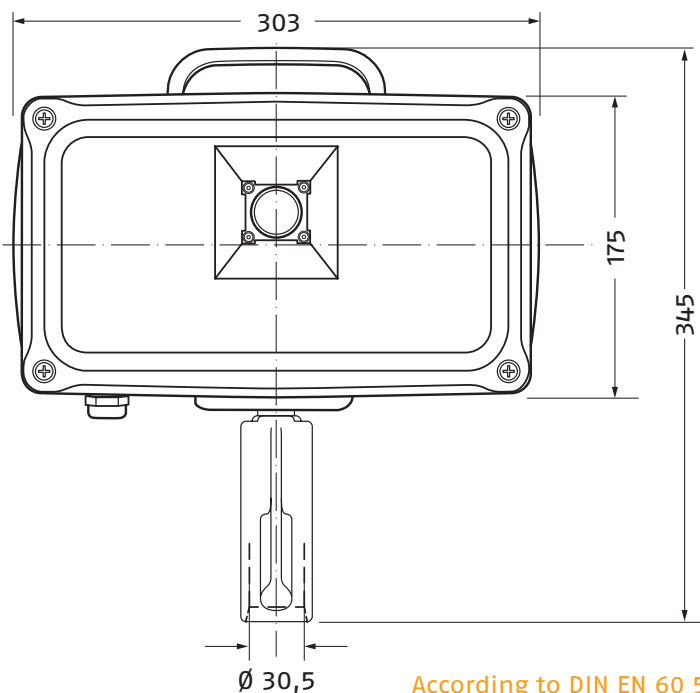


LED FLOODLIGHT LED 90 AC

with 1 x High Power LED 15,100 Lumen



According to DIN EN 60 598-2-5

Housing	Durable, break-proof aluminium housing, weather-resistant due to high-grade powder coating
Protection type	IP 67, dust-proof and protection against temporary immersion
Reflector	Special development from high grade pre-anodised reflector material for maximum yield of light and uniform light distribution, pleasant bright-dark transition
Lamps	1 x High Power LED, neutral white 4000 kelvins, colour rendering index CRI = >80 15,100 lumen (equates to approx. 1000 watt halogen)
Connection load	Voltage 100...277 V AC, frequency 50/60 Hz, input power approx. 108 W Suitable for worldwide use in all public grids
Ambient temperature	-25 °C to 50 °C, without connection cable -40 °C to 50 °C
Thermal overload protection	Reduction of power input in case of over-temperature
Safety glass	Tempered safety glass 262.6 x 139, optical outlet 75 x 80 mm, impact-resistant support by continuous seal, insensitive to temperature differences
Lead	10 m, heavy rubber hose line H 0 7 RN-F 3G 1.5 (or higher quality) with Schuko plug, detentable, 16A 250 V acc. to DIN VDE 0620
Mounting	By means of joint and mounting element for Ø 30 mm pin (DIN 14 640) on all relevant supports such as tripods, vehicles, etc.
Handles	1 carrying handle and two side handles for optimum manipulation, the side handles also serve to wind and unwind the cable
Weight	Approx. 6.7 kg (with 10 m cable and plug)
Special versions	For installation on light poles, turntable ladders, boom lifts, etc. Any desired cable length and approved plugs available - also available without plugs, handles, joint or mounting element

21.08

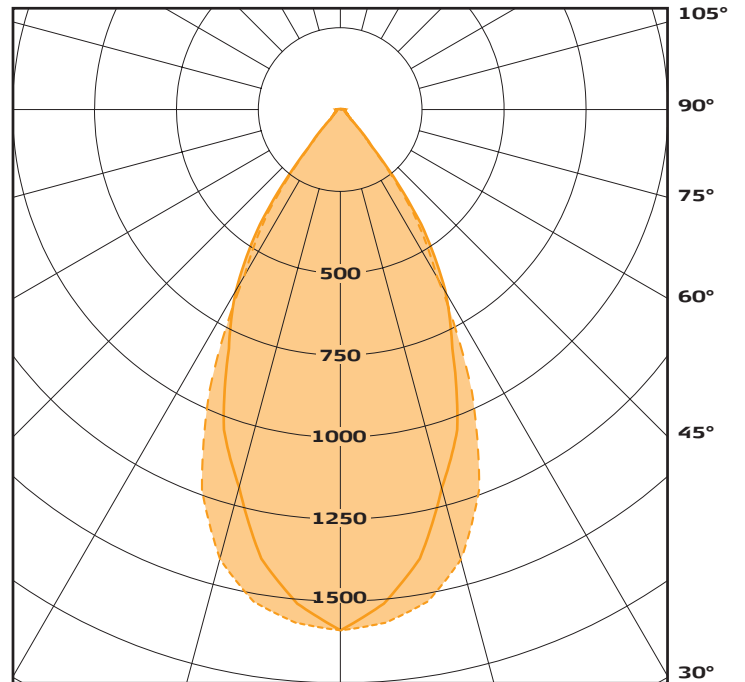
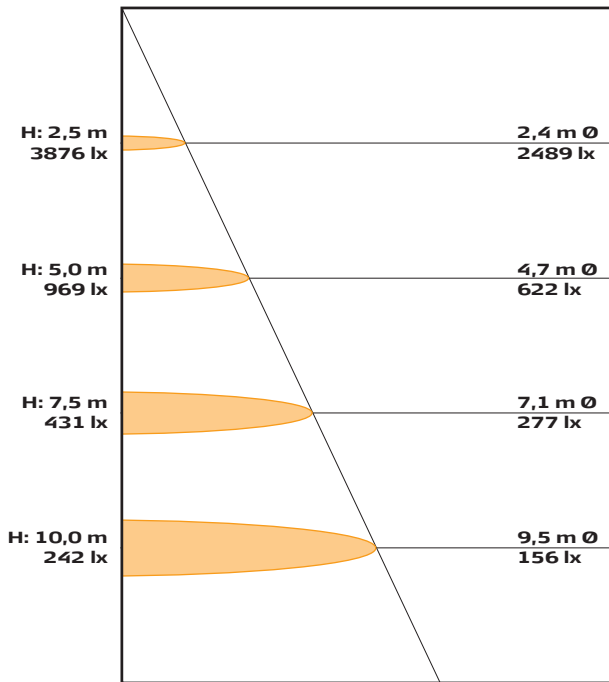


KARL *Meister* GmbH

LED FLOODLIGHT LED 90 AC

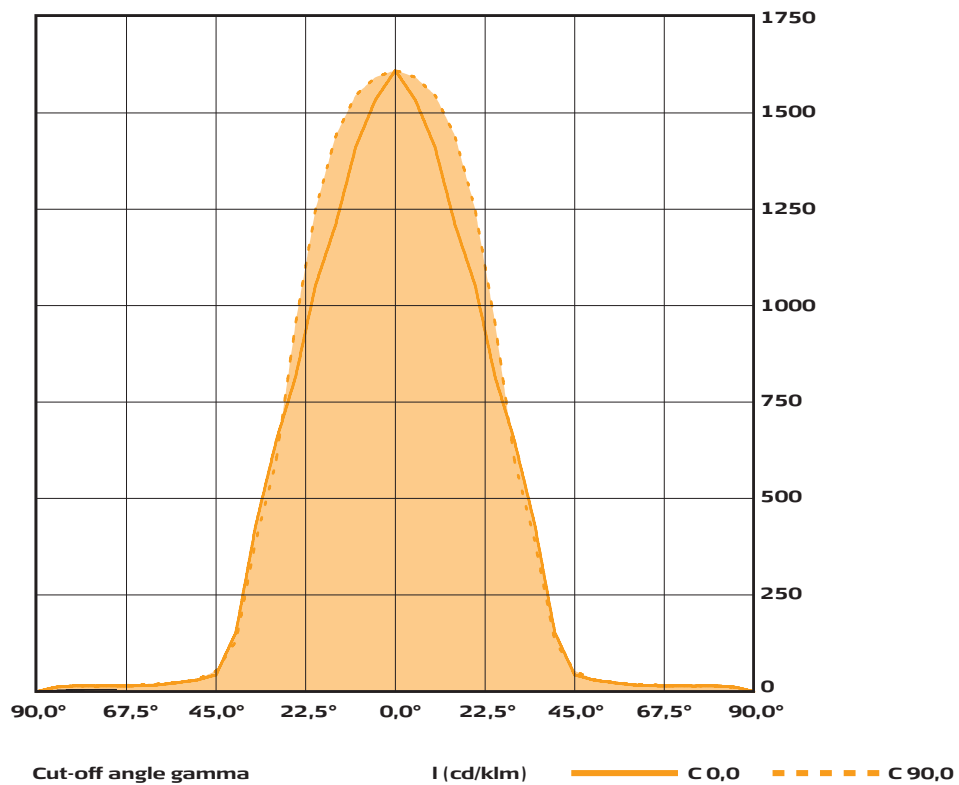
Half-peak angle: 50,8°

Luminous intensity distribution, polar



I (cd/klm) ——— C 0,0 - - - - C 90,0

Luminous intensity distribution/Cartesian



Cut-off angle gamma I (cd/klm) ——— C 0,0 - - - - C 90,0