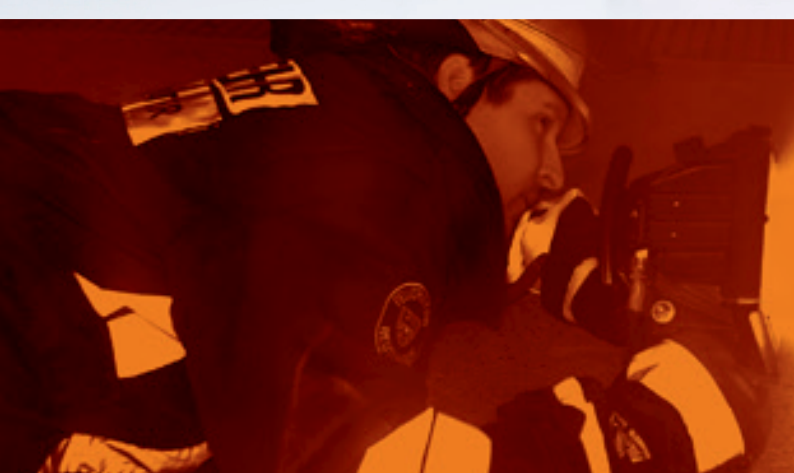


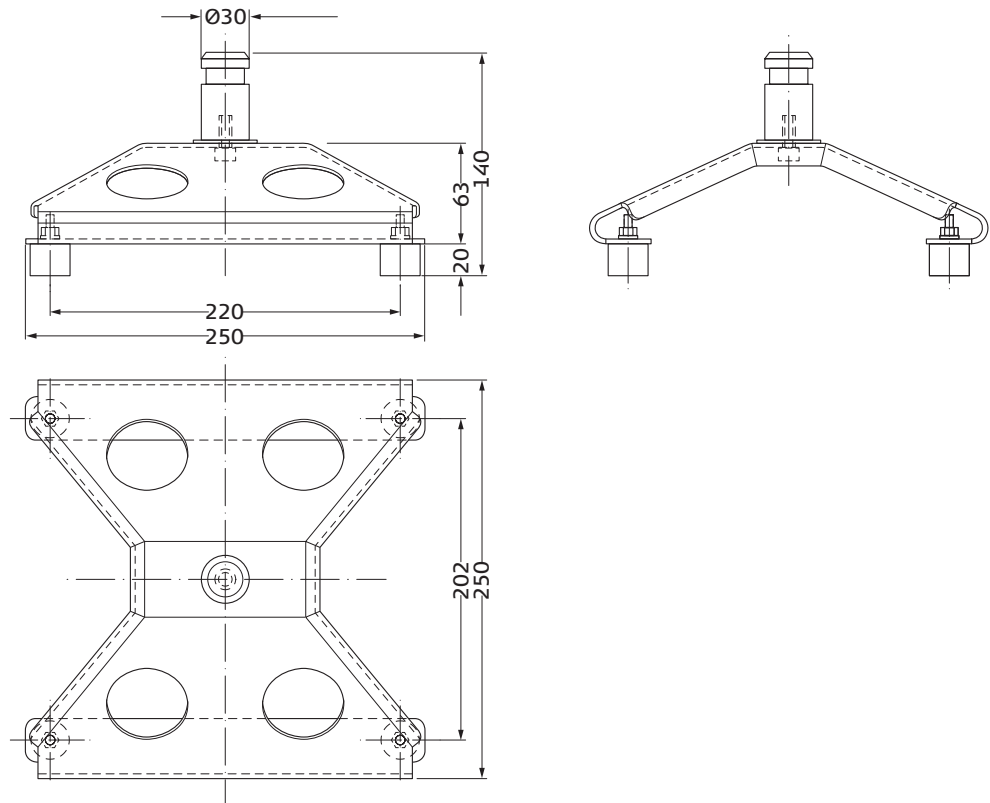


LAMP PEDESTAL LSF



LAMP PEDESTAL LSF

for all floodlights with DIN 14640 mounts



Dimensions	Length x width x height: 250 x 250 x 140 mm
Mounting	Using a slip-fitter mount according to DIN 14640 Ø 30 mm. The lamp pedestal firmly rests on 4 slip-proof rubber pads on any surface
Dead weight	0.65 kg
Max. centr. ultimate load	18.0 kg
Material	Aluminium, red plastic-coated
Range of applications	<p>The LSF is ideally suited for illumination at any height (e.g. walls, facades, advertising spaces) as well.</p> <p>Thanks to the large tilt angles of Karl Meister floodlights in combination with the LSF, the beam can also be directed at a very steep angle upwards or downwards (e.g. sinkholes, cliff edges, high walls, ceilings).</p> <p>The lamp pedestal allows upright, space-saving storage of all floodlights with DIN 14640 mounts.</p> <p>Thanks to the lamp pedestal, floodlights with DIN mounts can be used in workshops and equipment storage facilities for maintenance and rebuilding work.</p>



KARL *Meister* GmbH