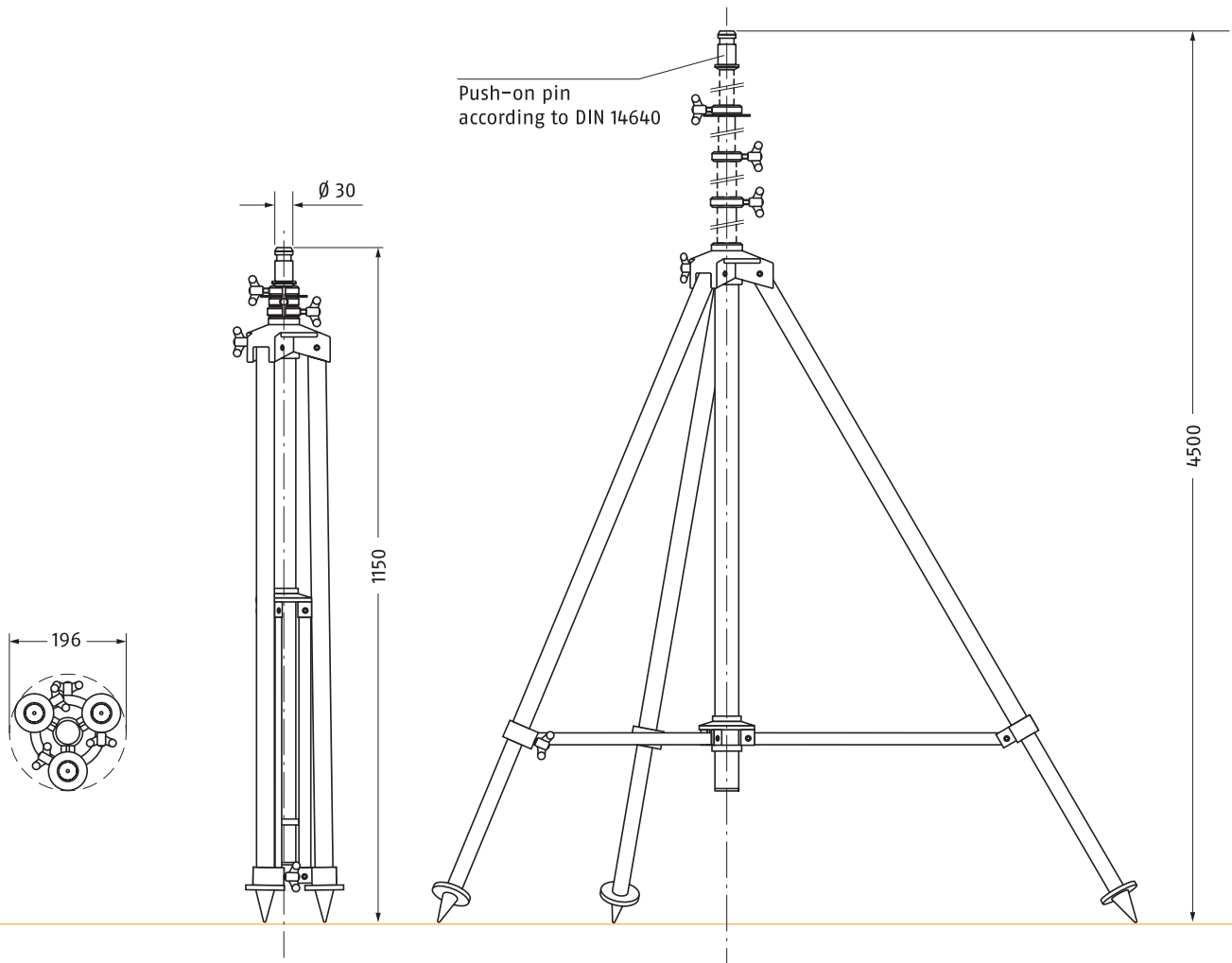


SAFETY TRIPOD ST 4500

depending to DIN 15560-27



max. extension height	4.50 m, from a height of 1.75 m onwards, must be secured by using a clamping/chucking device; 3 anchoring ropes (cables) with snap hooks and pegs are included with standard equipment
Weight	13.0 kg
max. centred load	18.00 kg
Aluminium bolt(s)	according to DIN 14 640
External tubes	external tripod tubes, fire red, powder-coated
Telescope tubes	zinc-yellow, anodized, all tubes can be locked with secure stops at any height, for uneven, difficult terrain, all tripod legs can be extended individually. For use with 2 floodlights, we recommend our 3 supporting bridges and our DUO-LIGHT.



KARL *Meister* GmbH